

2

1

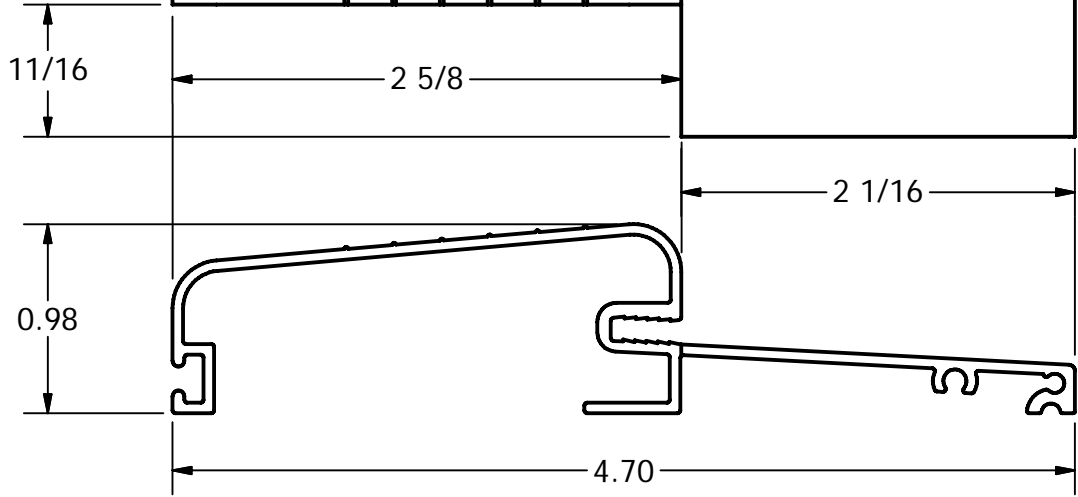
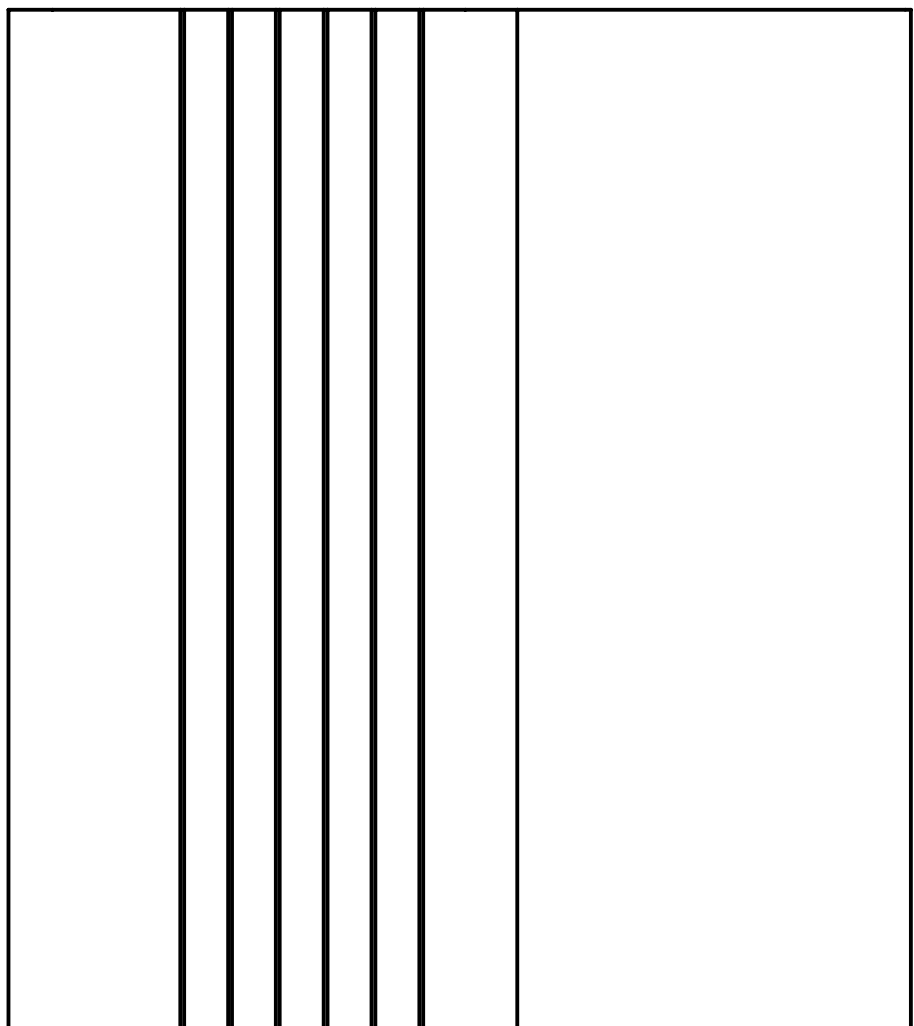
B

B



A

A



|                     |                |
|---------------------|----------------|
| FILE NAME           | 575 SPECS      |
| DATE                | APRIL 21, 2005 |
| DRAWN               | CD             |
| WT.FT.              |                |
| PERIMETER:          |                |
| UNMARKED WALLS      |                |
| CORNERS AND FILLETS |                |
| CHECKED:            |                |



**COLUMBIA ALUMINUM PRODUCTS**  
 7020 E. Slauson Ave.  
 City of Commerce, CA 90040-3621  
 ph: (800) 443-6677

DESCRIPTION: **575 SPECS**

|       |         |     |
|-------|---------|-----|
| SCALE | PART NO | REV |
| 1:1   |         |     |

2

1

