

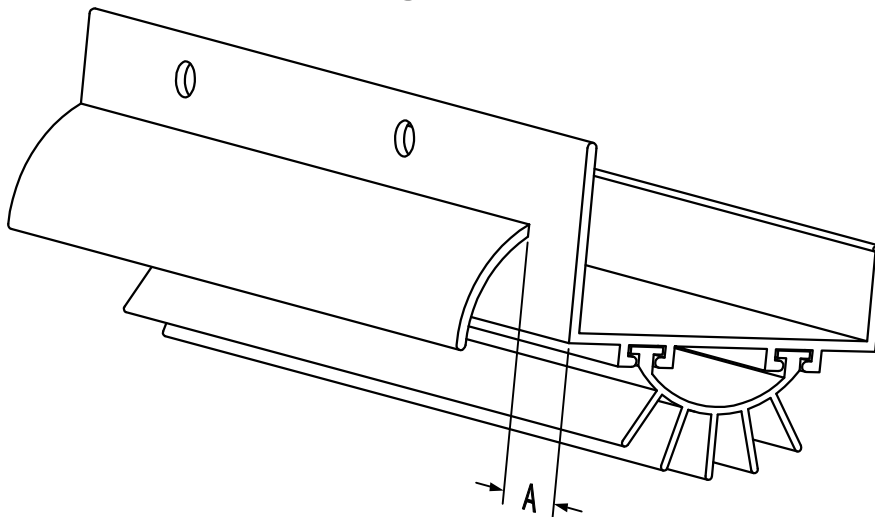


Columbia Aluminum Products, LLC

7020 E. Slauson Ave., City of Commerce, CA 90040-3621
 Ph: 800-443-6677 - Fax: 323-724-9146

FABRICATION OPTIONS (See Price List for Fabrication Charges)

STYLE H

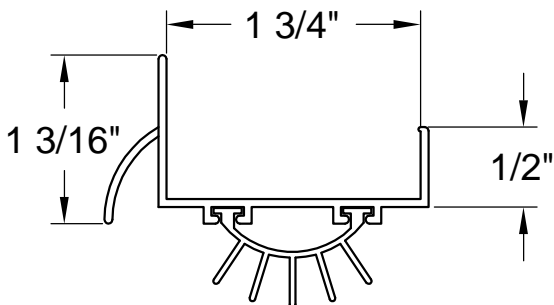


HALF NOTCH DOOR BOTTOM

Removal of Rain Drip to prevent interference with door stop and weatherstrip.

Notch Sizes: $\frac{1}{2}$ " , $\frac{9}{16}$ " , $\frac{5}{8}$ " , $\frac{3}{4}$ " , $\frac{13}{16}$ "

How to Order		
Qty.	Net Length	Notch Size(A)



Customer: _____

Date: _____

Approved By: _____