

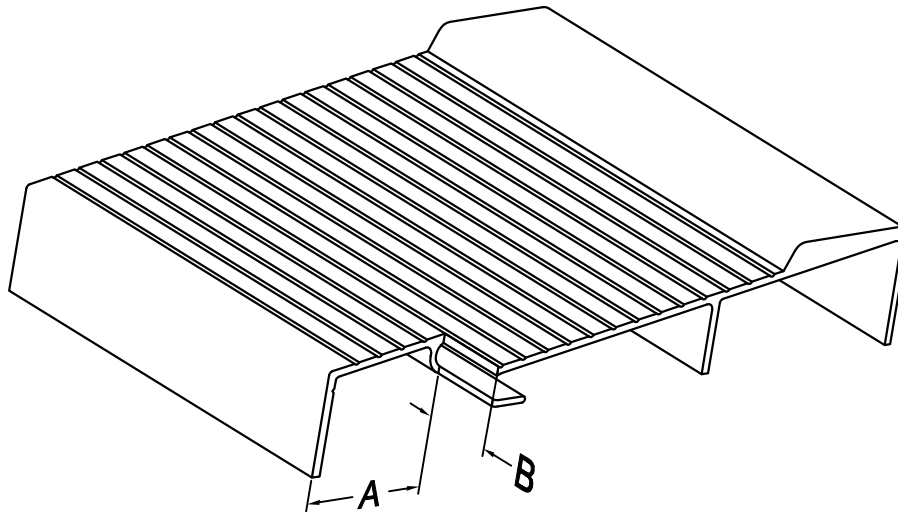


Columbia Aluminum Products, LLC

7020 E. Slauson Ave., City of Commerce, CA 90040-3621
 Ph: 800-443-6677 - Fax: 323-724-9146

FABRICATION OPTIONS (See Price List for Fabrication Charges)

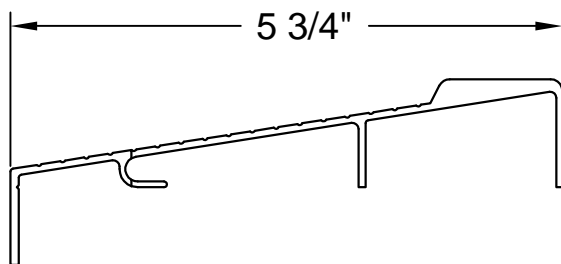
STYLE E



EXTERIOR NOTCH (Trim Notch)

For installations with Trim Moldings or Stucco Mold. May be used with other fabrication options.

How to Order			
Qty.	Net Length	Notch A	Notch B



Customer: _____

Date: _____

Approved By: _____