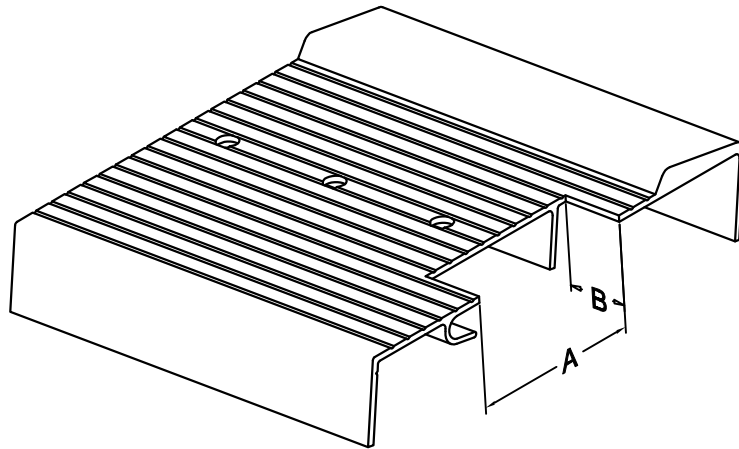




Columbia Aluminum Products, LLC

7020 E. Slauson Ave., City of Commerce, CA 90040-3621
 Ph: 800-443-6677 - Fax: 323-724-9146
 www.columbiaaluminumproductslist.com

STYLE C

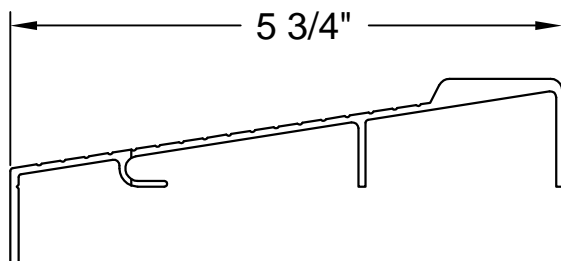


POCKET CUT FOR METAL FRAME (PCMF)

Pocket cut Thresholds/Sill that will be dropped into installed Frames.

Standard Holes: Three (3) center screw holes per door.

How to Order		
X	Net Length	Frame Number or Size
Example	36"	Timely 47C



Customer: _____

Date: _____

Approved By: _____