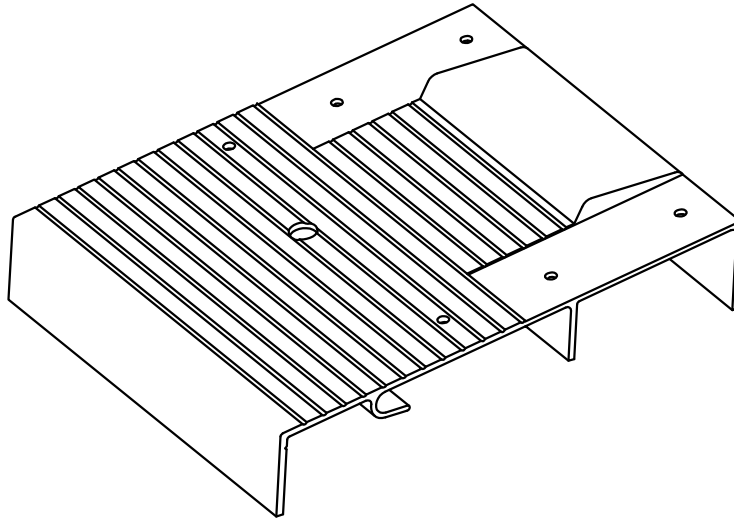




# Columbia Aluminum Products, LLC

7020 E. Slauson Ave., City of Commerce, CA 90040-3621  
Ph: 800-443-6677 - Fax: 323-724-9146

## STYLE A



### NAIL-ON MILLED - **CUT**

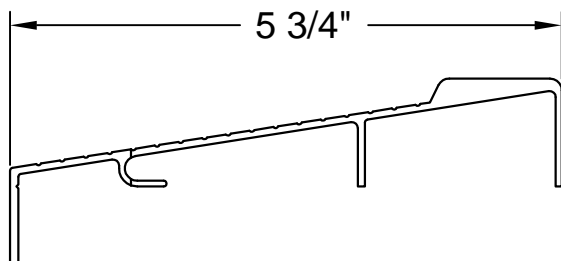
For wood door frames using nails or screws to secure jambs to the aluminum sills.  
Mill sizes: A3  $\frac{3}{8}$ " mill A4  $\frac{1}{2}$ " mill A9  $1\frac{1}{8}$ " mill.

**HOW TO ORDER:** Net length and Door opening plus twice  
mill size and state style size

All T-Bolts pairs with 344 T-Bolt Astragal add  $\frac{1}{2}$ " to door opening (if not already allowed)

**INSTALLATION:** Cut door stop to match slope of sill (6 or 9 degrees).

**Standard Holes:** One center screw hole for door opening on the slope. Three (3)  $\frac{1}{8}$ " Dia. nail holes each end



Customer: \_\_\_\_\_

Date: \_\_\_\_\_

Approved By: \_\_\_\_\_