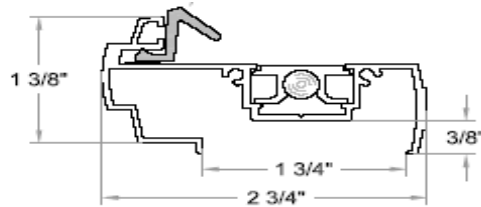




## 350 Astragal Installation Instructions

---



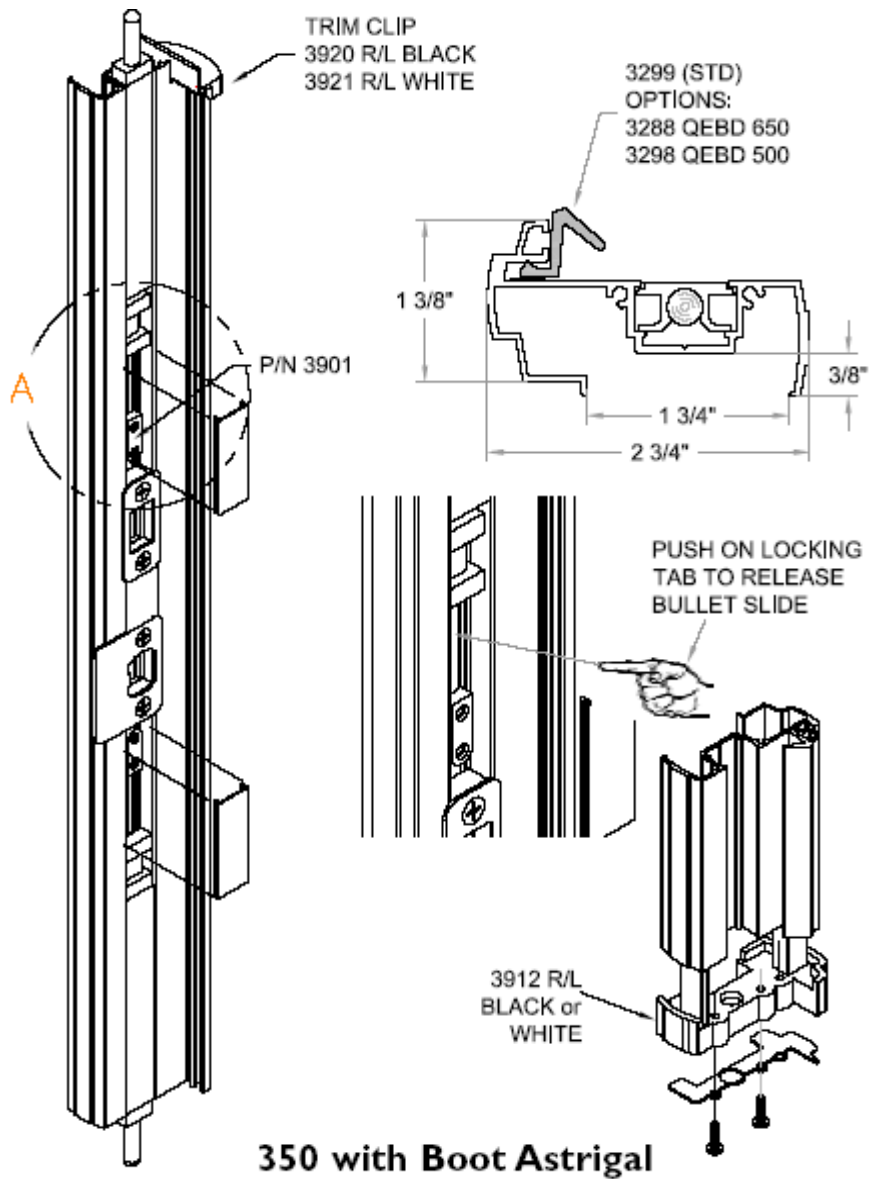
The surface mount T-Bolt astragal is designed to operate on in-swing double doors. The surface mount T-Bolt must be mounted on the inactive door with the “T” facing outside.

On the inactive door the surface mount T-Bolt can be installed by the following instructions:

- 1) Determine position for astragal on the inactive door (Left or Right). Line up the top of the astragal with the top of the door. The astragal is already prepped  $\frac{1}{2}$ ” for the jamb stop. If not pre-prepped from our factory for your door size, cut the astragal to your door size. To do this, pull the top flush bolt out of the astragal and cut the top to your door size. Insert flush bolts and notch  $\frac{1}{2}$ ” on the front face of the astragal to clear the door stop...Make sure that the plastic trim clip at the top of the astragal, and the boot at the bottom of the astragal are installed to prevent water from entering.
- 2) Fasten T-Bolt to inactive door with #6  $\frac{7}{8}$ ” screws. Move slides as needed to install all screws.
- 3) Determine Locations for the flush-bolt holes in the frame head (Top) and threshold (Bottom), with the door closed in position, mark exact center for locating holes. Drill  $\frac{5}{16}$ ” hole and install plate over hole in frame head (Top) using the screws provided.
- 4) For perfect fit of the dead bolt on the T-Bolt, allow 1” into the door.
- 5) Determine strike plate location and slide the black spacers to that location. Mark screw locations and drill holes, place strike plates on the spacers and fasten with the screws #6 1- $\frac{1}{4}$ ”. Screws will stand through the spacers and into the door.
- 6) Determine the locking mechanisms locations by pushing both slides into locked position with the flush-bolts in both the frame head (Top) and the threshold (Bottom). Place locking mechanisms in position with the mechanisms butted against the slide trigger. Fasten with the screws #4x  $\frac{3}{4}$ ”. Be sure to center screws on astragal body and pre-drill the screw holes using the centerline groove. Tighten screws on locking mechanisms into aluminum astragal and door.
- 7) Cut and install plastic slide-track cover as needed to exposed areas of the T-Bolt slide channel.
- 8) Now the installation is complete.

7020 East Slauson Avenue, City of Commerce, CA 90040  
Tel: (323) 728-7361 Toll Free (800) 443-6677 Fax (323) 724-9146

---




---

7020 East Slauson Avenue, City of Commerce, CA 90040  
Tel: (323) 728-7361 Toll Free (800) 443-6677 Fax (323) 724-9146